

Product Discontinuation Notices

March 1, 2011

Programmable Controllers

No. 2011083E

Discontinuation Notice of Module Interface Unit (M-NET) T1000H-MIF02, T200H-MIF01-V1, CV500-MIF01

Product Discontinuation

Module Interface Unit



T1000H-MIF02
T200H-MIF01-V1
CV500-MIF01

Recommended Replacement

DeviceNet Series

Please consider to rebuild the system with the CJ/CS Series PLCs.

Discontinuation date : The end of March, 2012

Caution on recommended replacement

Please replace the PLCs to CS Series or CJ Series, too to use the recommended replacement network. It will require large amount of design change works for replacement since the conventional PLC and network are not compatible with recommended replacement PLC and network. Please consider to purchase enough spare units of conventional systems, if your conventional system has operated for a long period.

Difference from discontinued product

Model	Body Color	Dimensions	Wire connection	Mounting Dimensions	Characteristics	Operation ratings	Operation methods
DeviceNet	--	-	-	-	-	-	-

** : Fully compatible

* : The change is a little/Almost compatible

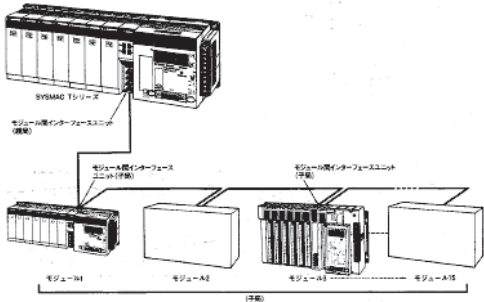
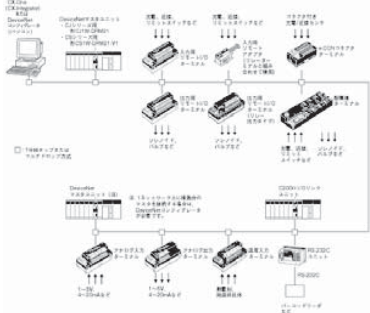
-- : Not compatible

- : No corresponding specification



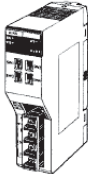


Product Discontinuation and recommended replacement

Product discontinuation	Recommended replacement
T1000H-MIF02	CJ1W-DRM21
T200H-MIF01-V1	CS1W-DRM21-V1
CV500-MIF01	

System Configurations

Product discontinuation Module Interface Unit	Recommendable replacement DeviceNet
	

Appearance

Product discontinuation Module Interface Unit	Recommendable replacement DeviceNet
<p>- T1000H-MIF02 Dimensions:250(H) x 34.5(W) x 93(D)</p> 	<p>- CJ1W-DRM21 Dimensions:90(H) x 31(W) x 65(D)</p> 
<p>- T200H-MIF01-V1 Dimensions:130(H) x 35(W) x 101(D)</p> 	<p>- CS1W-DRM21-V1 Dimensions: 130(H) x 35(W) x 101(D)</p> 
<p>- CV500-MIF01 Dimensions:250(H) x 34.5(W) x 93(D)</p> 	

Network Specifications

Product discontinuation Module Interface Unit	Recommendable replacement DeviceNet																																																					
<p>Communication method: Half-duplex Transmission speed: 19.2 kbps Synchronization method: Start/stop synchronization Bit configuration: 1 start bit + 7 bit data + Even parity bit + 1 stop bit Error detection: Vertical parity (Even) check and Horizontal parity (Even) check Signal level: RS422 Transmission distance: 100m max.</p>	<table border="1"> <thead> <tr> <th>Item</th> <th colspan="4">Specifications</th> </tr> </thead> <tbody> <tr> <td>Communications protocol</td> <td colspan="4">DeviceNet</td> </tr> <tr> <td>Connection form</td> <td colspan="4">Combinations of multi-drop and T-branch connections (See note 1.)</td> </tr> <tr> <td>Baud rate</td> <td colspan="4">500 kbps, 250 kbps, 125 kbps (switchable)</td> </tr> <tr> <td>Communications media</td> <td colspan="4">Special 5-wire cables (2 signal lines, 2 power lines, 1 shield line)</td> </tr> <tr> <td rowspan="3">Communications distances</td> <td>Baud rate</td> <td>Network length (See note 2.)</td> <td>Drop line length</td> <td>Total drop line length</td> </tr> <tr> <td>500 kbps</td> <td>100 m max. (See note 3.)</td> <td>6 m max.</td> <td>39 m max.</td> </tr> <tr> <td>250 kbps</td> <td>250 m max. (See note 3.)</td> <td>6 m max.</td> <td>78 m max.</td> </tr> <tr> <td></td> <td>125 kbps</td> <td>500 m max. (See note 3.)</td> <td>6 m max.</td> <td>156 m max.</td> </tr> <tr> <td>Maximum number of nodes</td> <td colspan="4">64 nodes (This figure includes the master. The maximum number of connectable slaves is 63.)</td> </tr> <tr> <td>Error controls</td> <td colspan="4">CRC error check, node address duplication check, scan list verification</td> </tr> </tbody> </table>	Item	Specifications				Communications protocol	DeviceNet				Connection form	Combinations of multi-drop and T-branch connections (See note 1.)				Baud rate	500 kbps, 250 kbps, 125 kbps (switchable)				Communications media	Special 5-wire cables (2 signal lines, 2 power lines, 1 shield line)				Communications distances	Baud rate	Network length (See note 2.)	Drop line length	Total drop line length	500 kbps	100 m max. (See note 3.)	6 m max.	39 m max.	250 kbps	250 m max. (See note 3.)	6 m max.	78 m max.		125 kbps	500 m max. (See note 3.)	6 m max.	156 m max.	Maximum number of nodes	64 nodes (This figure includes the master. The maximum number of connectable slaves is 63.)				Error controls	CRC error check, node address duplication check, scan list verification			
Item	Specifications																																																					
Communications protocol	DeviceNet																																																					
Connection form	Combinations of multi-drop and T-branch connections (See note 1.)																																																					
Baud rate	500 kbps, 250 kbps, 125 kbps (switchable)																																																					
Communications media	Special 5-wire cables (2 signal lines, 2 power lines, 1 shield line)																																																					
Communications distances	Baud rate	Network length (See note 2.)	Drop line length	Total drop line length																																																		
	500 kbps	100 m max. (See note 3.)	6 m max.	39 m max.																																																		
	250 kbps	250 m max. (See note 3.)	6 m max.	78 m max.																																																		
	125 kbps	500 m max. (See note 3.)	6 m max.	156 m max.																																																		
Maximum number of nodes	64 nodes (This figure includes the master. The maximum number of connectable slaves is 63.)																																																					
Error controls	CRC error check, node address duplication check, scan list verification																																																					